



SETTING VIA LOCK

It is strongly recommended to use the TTLock APP, however you may follow the programming instructions below to configure the lock manually.

CREATE NEW ACCESS

Add administrator (only 1)



- Enter *12#
- Input 123456# (the default code)
- Input new code#
- Repeat new code#

Tips: If you use the APP a 4 digit Admin code can be set. To change the APP Admin through keypad press 83# + admin code#. Now a new admin can be set via the APP.

Add a new user with an access / pin code (250 maximum)



- Enter *80#
- Input admin code#
- Input user code# (6-9 digits)
- Repeat new user code#

Add a new user with an RFID card (1000 maximum)



- Enter *80#
- Input admin code#
- Present the card to the card sensor area

Tips: If your smartphone support NFC, copy the registered RFID card to your smartphone and your phone will be the key to unlock.

MODIFY CODE

Modify admin code



- Enter *12#
- Input old admin code#
- Input new admin code#
- Repeat the new admin code#

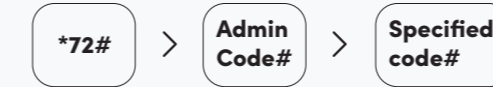
Modify user code



- Enter *10#
- Input old user code#
- Input new user code#
- Repeat the new user code#

DELETE USER

Delete specified pin code



Tips: The admin code cannot be deleted.

- Enter *72#
- Input the specified code# that you wanted to delete

Delete all user codes



- Enter *71#
- Input admin code#

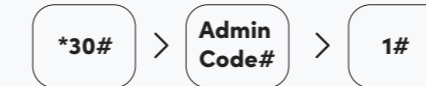
Delete all RFID cards



- Enter *69#
- Input admin code#

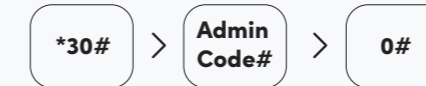
MANAGE VOICE

Turn on the lock voice



- Enter *30#
- Input admin code#
- Input 1#

Turn off the lock voice



- Enter *30#
- Input admin code#
- Input 0#

RESET THE LOCK

Press and hold the reset button until you hear "please input initialization passcode" then input 000#. All pin codes, cards and APP users will be deleted.

DEMO MODE

Demo mode is turned off by default prior to an Admin code being registered. If you wish to turn on demo mode input 24679#. Demo mode sets the lock access pin code to 123456# and any card or fingerprint will also open it. Registering an Administrator will take the lock out of demo mode.

LOW BATTERY ALERT

When battery power is less than 4.8V you will hear a low battery alert each time you wake the lock screen. Please replace batteries with new Alkaline type. Don't mix old and new batteries.

SCRAMBLING CODE FOR ANTI PEEP

Users may enter any random digits before or/and at the end of entering their correct pin code and still gain access. This feature makes it harder for an unauthorised user who may be watching you to guess your pin code.

INCORRECT CODE / CARD ALERT

If the wrong unlocking information is inputted five times the system will be locked out for 35 seconds. The lock can only be operated by the APP during the lockout period.

PASSAGE MODE

Passage mode keeps the door unlocked, useful when gardening or bringing in groceries from the car etc.

To activate passage mode, enter a valid unlock code then press 123# within 5 seconds. The door will remain unlocked.

To remove from passage mode, unlock using a valid code or card. If you engage passage mode via the APP you must use the APP to disengage passage mode.

FAQS

Keypad on lock does not respond

- Please check the batteries are installed correctly.
- If the lock had been working OK please replace the batteries with new AA Alkaline type.

The door will not lock

- Ensure the lock is not in demo mode.
- Check to see if the lock is in passage mode.
- Refer to installation guide to ensure the triangle on the lock hub is correctly aligned.

Battery performance is poor.

- Ensure all batteries are new Alkaline type.
- Ensure the lock connecting cable is not pinched.
- Check for and update lock firmware.



Download and Install the APP

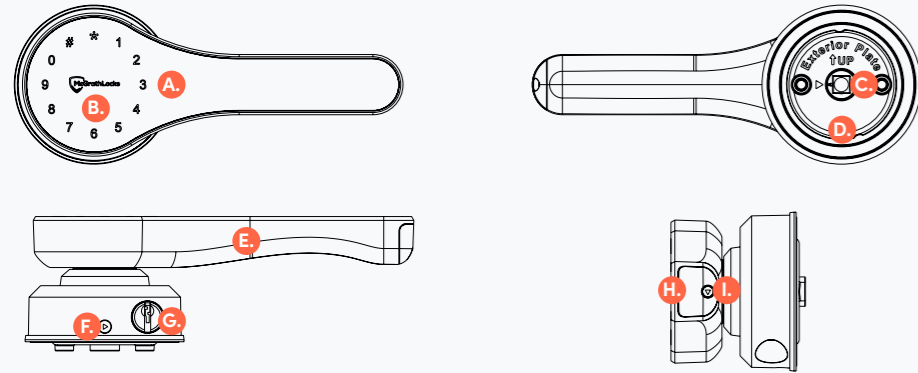
Enable your smart phone to scan QR code to download the APP. Also you can search "TT Lock" on APP store or Google play to download the APP.

ASCOT Installation Guide

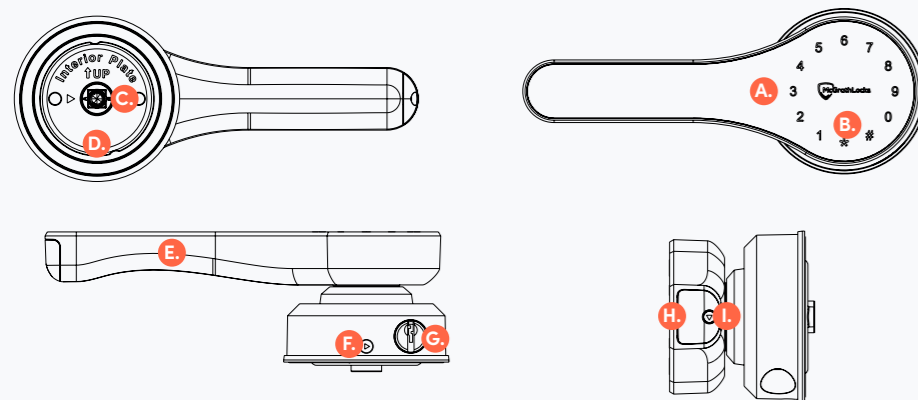
Exploded diagram

- A. Keypad
- B. Card region
- C. Spindle base
- D. Exterior plate
- E. Handle
- F. Triangular screw
- G. Mechanical key override
- H. Battery cover
- I. Triangular screw

Exterior Lock Diagram (Default handing setup in box)

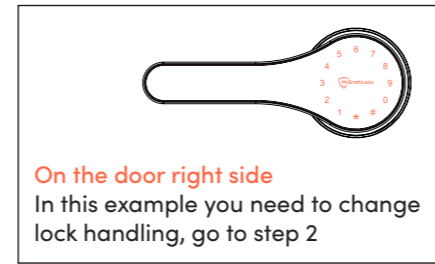


Interior Lock Diagram (Default handing setup in box)



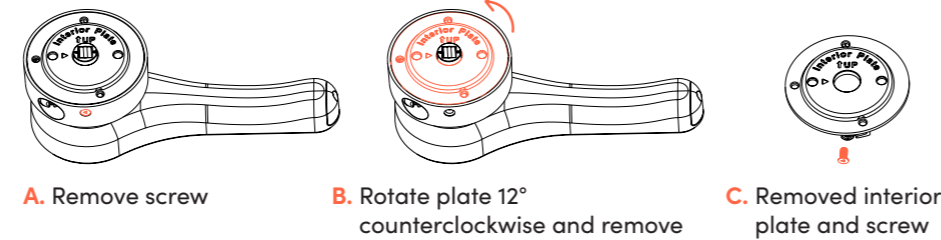
1. Determine which handle in the box will be your external handle

The handles are supplied in the box (default) as per the image to step 4 on the left. If your gate or door is handed like the image on the left go to step 4. If your door or gate is handed like the image on the right go to step 2 to swap the fitting plates over on both handles to change door handing.

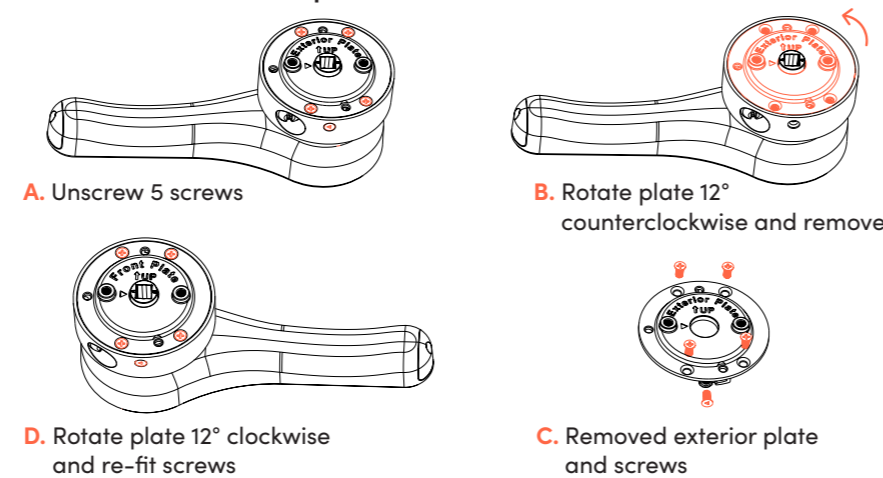


2. Remove the interior plate from the default interior handle as below

Repeat this process on the exterior handle in step 3



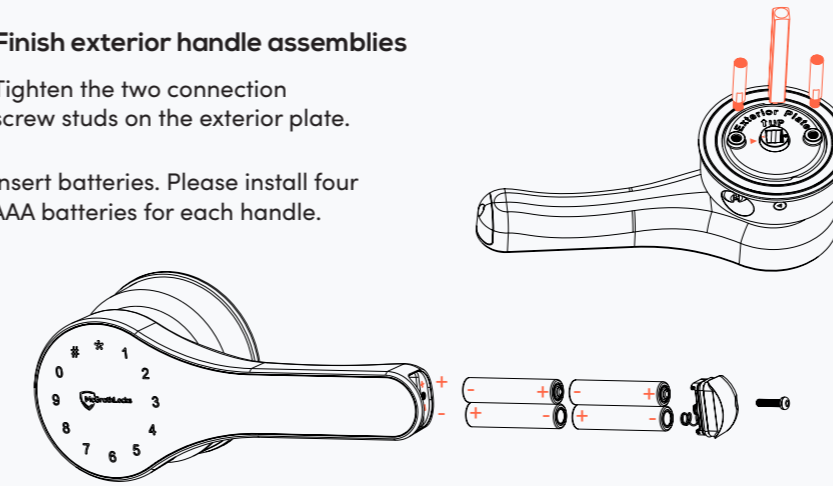
3. Remove the exterior plate from the default exterior handle as below



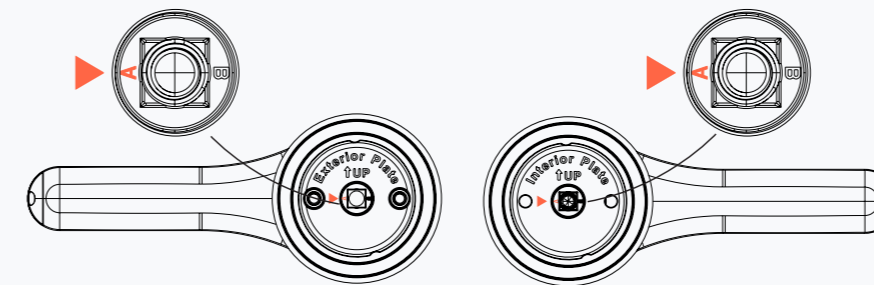
1 Fit the exterior fixing plate onto the new exterior handle but do not fix the interior fitting plate on yet.

4. Finish exterior handle assemblies

- A. Tighten the two connection screw studs on the exterior plate.
- B. Insert batteries. Please install four AAA batteries for each handle.

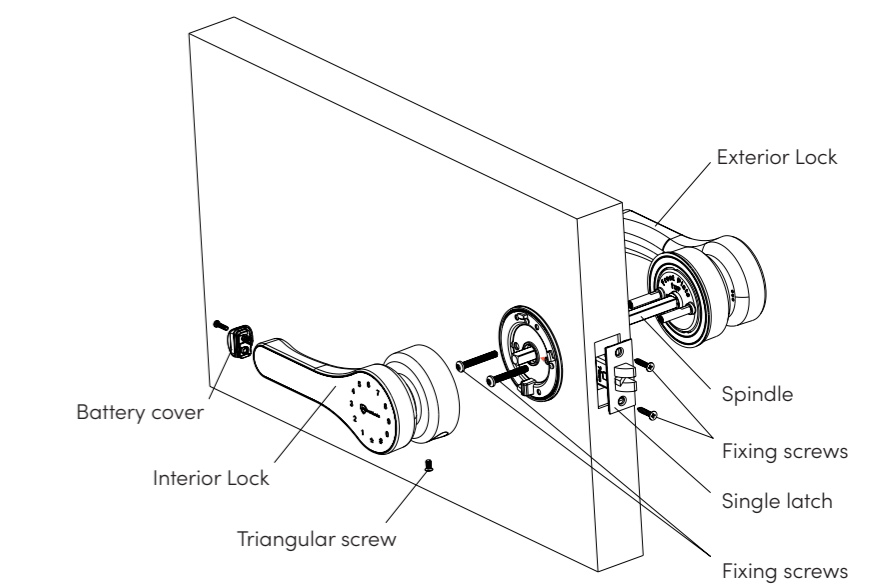


6. Make sure the "A" points towards to the triangle mark point



7. Install exterior lock

- A. First install the latch according to the door opening direction, and install the strike plate on the door frame.
- B. Check whether the spindle spring has been installed in the spindle hole, then take the spindle and install it into the exterior panel, place the exterior lock on the door.
- C. Put the interior plate on the door, ensure the '↑' toward up.
- D. Insert the fixing screws but do not fully tighten.
- E. Adjust the interior plate to make sure the spindle is centered in the round hole of the interior plate.
- F. Place the interior lock on the plate and check smooth operation of both exterior and interior locks.
- G. Remove the interior lock and tighten the two fixing screws.



8. Install interior lock

- A. Ensure the spindle spring is seated in the spindle hole on the lock.
- B. Rotate the round rose on the interior handle 12° anticlockwise and slide the handle onto the spindle.
- C. Rotate the round rose 12° clockwise until it comes to a hard stop.
- D. Insert and tighten the triangular screw in the rose.
- E. Test the handle and mechanical key.

